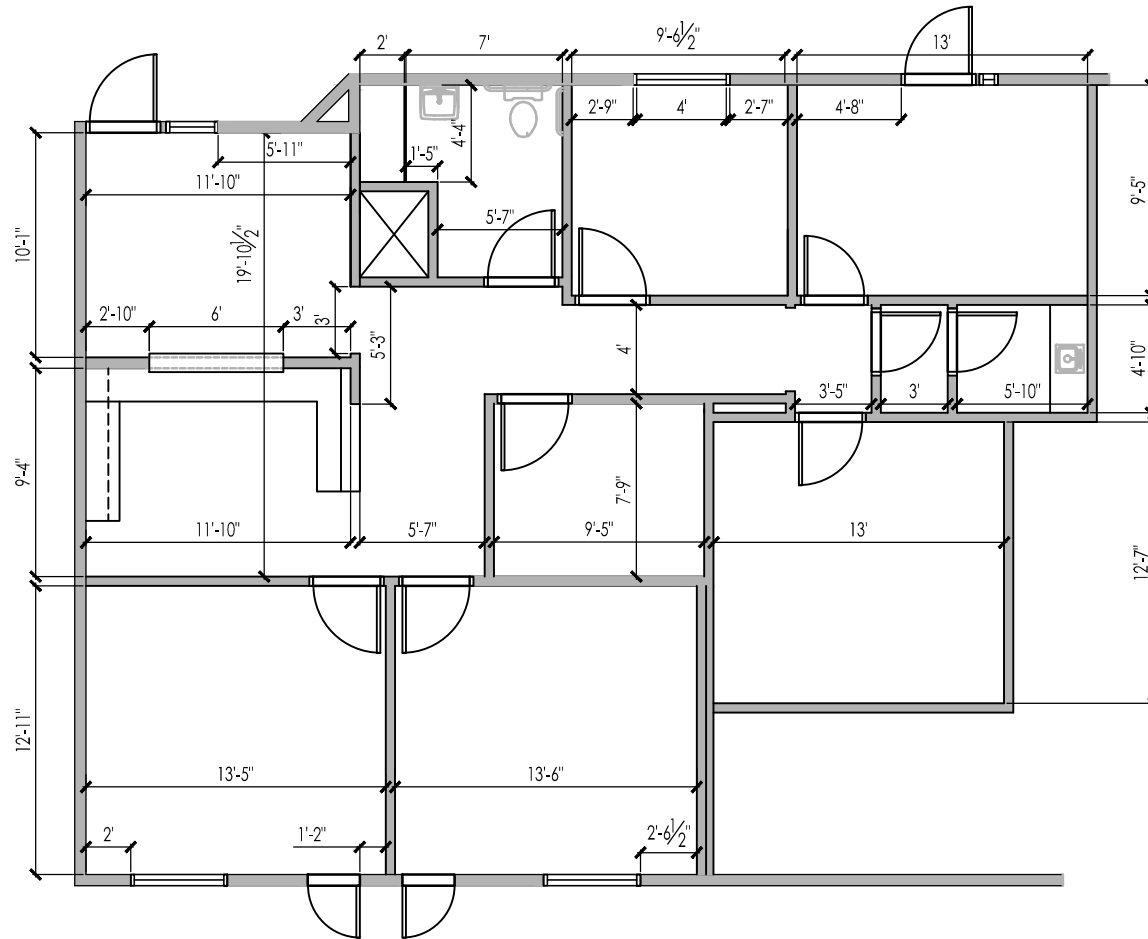


SUITE B: ±1,418 USF



LEASING EXHIBIT FOR:

**SUITE B**

13922 SEAL BEACH BOULEVARD  
SEAL BEACH, CA

OWNER REPRESENTATIVE:

**BURNHAM USA**

BURNHAM USA EQUITIES, INC.

1100 NEWPORT CENTER DRIVE, SUITE 200

NEWPORT BEACH, CA 92660

PHONE: (949) 760-9150

